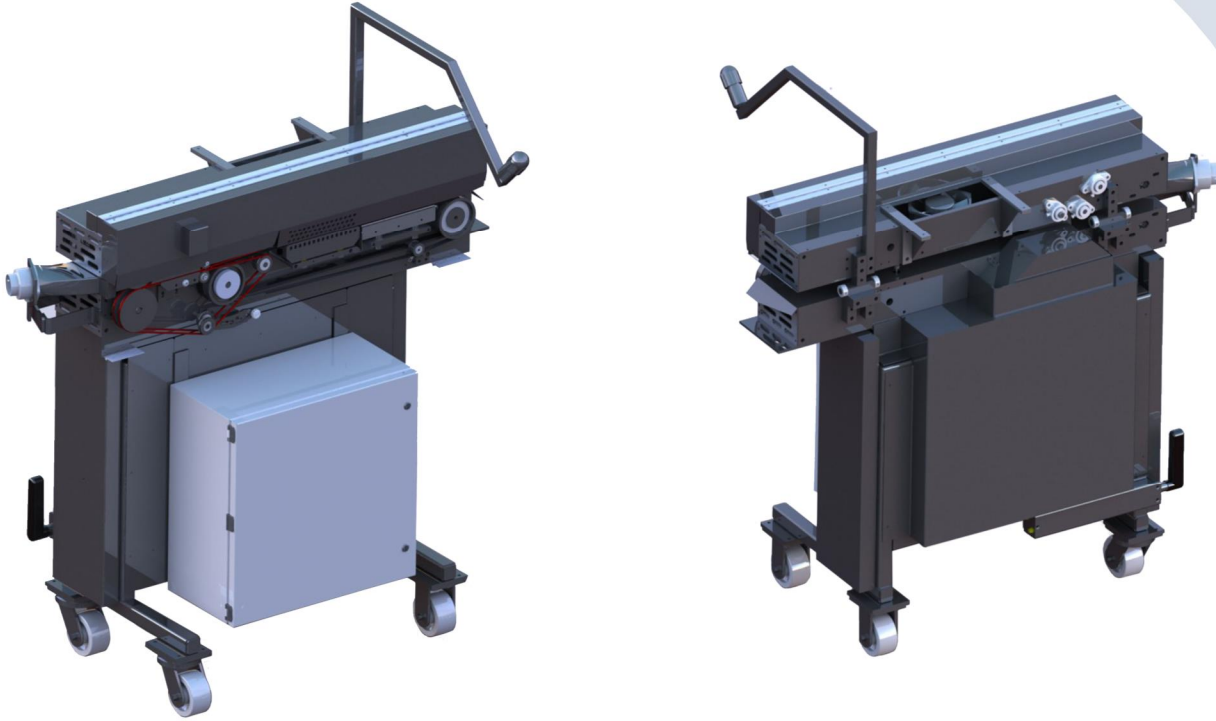


BSI Heat Sealer

1370 West Main St.
Salem, IL 62881
Phone: 618-548-3555
Fax: 618-548-3557
Email: sales@bettendorfstanford.com
Web: www.Bettendorfstanford.com

BSI Heat Sealer Features



Designed to seal your polyethylene bags and then trim and remove the excess material. Typically placed at the end of a scoop or paddle style bagger but can be used as a stand alone unit.

- Allen Bradley 525 drive
- Easy to operate, simple controls
- Head unit lifts up and tilts open for ease of maintenance
- Allen Bradley RFID Safeties
- Caster mounted for portability
- Stainless steel construction
- Wired for customers 3 phase power
- NEMA 4 electrical enclosure
- Bag tensioner device to ensure seal is close to the product
- Trim collection system (not pictured)
- Optional heat sealer conveyor for ease of use (not pictured)